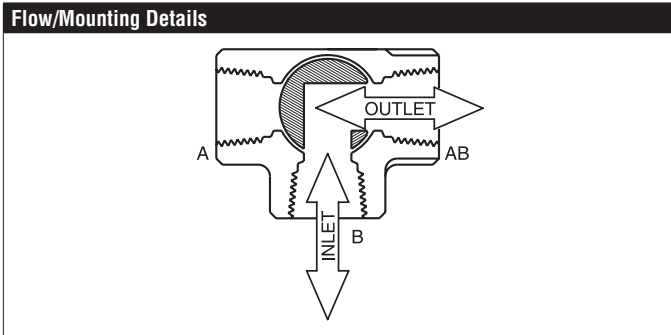


B325L Technical Data Sheet

Chrome Plated Brass Ball and Nickel Plated Brass Stem



| Technical Data | |
|--------------------------|--|
| Fluid | chilled or hot water, up to 60% glycol |
| Flow characteristic | modified linear |
| Controllable flow range | 75° |
| Valve Size [mm] | 1" [25] |
| Pipe connection | NPT female ends |
| Housing | Nickel-plated brass body |
| Ball | chrome plated brass |
| Stem | nickel-plated brass |
| Seat | PTFE |
| Body Pressure Rating | 600 psi |
| Close-off pressure Δps | 200 psi |
| Cv | 11 |
| Weight | 1.32 lb [0.60 kg] |
| Fluid Temp Range (water) | 0...250°F [-18...120°C] |
| Leakage rate | ANSI Class VI |
| Servicing | maintenance-free |



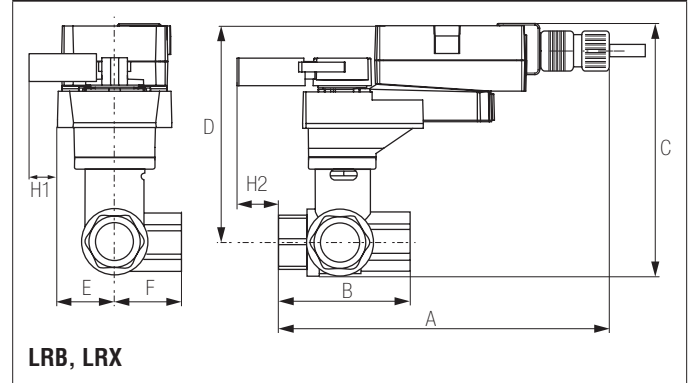
Application

This valve is typically used in air handling units on heating or cooling coils, and fan coil unit heating or cooling coils. Some other common applications include Unit Ventilators, VAV box re-heat coils and bypass loops. This valve is suitable for use as diverting or change over valve.

Suitable Actuators

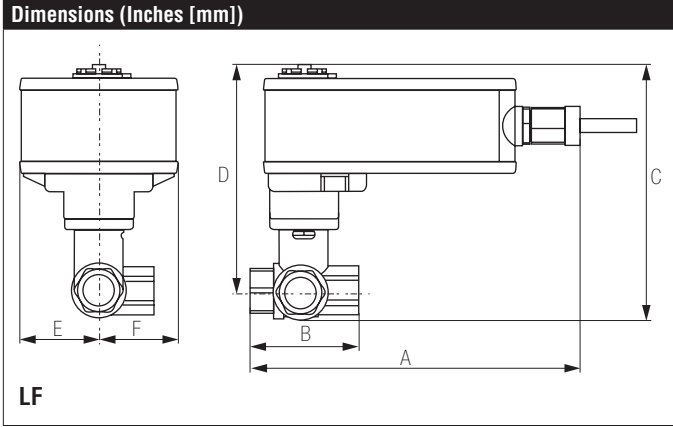
| | Non-Spring | Spring |
|-------|------------|--------|
| B325L | LRB(X) | LF |

Dimensions (Inches [mm])



| A | B | C | D | E | F | H1 | H2 |
|-------|------|-------|-------|------|------|------|---------|
| 7.3" | 2.7" | 7.2" | 6.3" | 1.3" | 1.7" | 1.2" | 1" [25] |
| [185] | [69] | [184] | [161] | [33] | [44] | [30] | |

Date created, 04/17/2020 - Subject to change. © Belimo Aircontrols (USA), Inc.



| A | B | C | D | E | F |
|------------|-----------|------------|------------|-----------|---|
| 8.1" [206] | 3.1" [78] | 6.5" [165] | 5.6" [142] | 1.9" [48] | |

LF24-MFT-S US, Valve Actuator Technical Data Sheet

Modulating, Spring Return, 24 V, Multi-Function Technology®



5-year warranty



| Technical Data | |
|------------------------------------|---|
| Power Supply | 24 VAC, ±20%, 50/60 Hz, 24 VDC, ±10% |
| Power consumption in operation | 2.5 W |
| Power consumption in rest position | 1 W |
| Transformer sizing | 5 VA (class 2 power source) |
| Electrical Connection | (2) 18 GA appliance cables with 1/2" conduit connectors, 3 ft [1 m], |
| Overload Protection | electronic throughout 0...95° rotation |
| Operating Range | 2...10 V (default), 4...20 mA w/ ZG-R01 (500 Ω, 1/4 W resistor), variable (VDC, on/off, floating point) |
| Operating range Y variable | Start point 0.5...30 V End point 2.5...32 V |
| Input Impedance | 100 kΩ for 2...10 V (0.1 mA), 500 Ω for 4...20 mA, 1500 Ω for PWM, On/Off and Floating point |
| Position Feedback | 2...10 V, Max. 0.5 mA, VDC variable |
| Angle of rotation | 90° |
| Direction of motion motor | selectable with switch 0/1 |
| Direction of motion fail-safe | reversible with cw/ccw mounting |
| Position indication | Mechanical |
| Running Time (Motor) | default 150 s, variable 75...300 s |
| Running time fail-safe | <25 s @ -4...122°F [-20...50°C], <60 s @ -22°F [-30°C] |
| Ambient humidity | max. 95% r.H., non-condensing |
| Ambient temperature | -22...122°F [-30...50°C] |
| Storage temperature | -40...176°F [-40...80°C] |
| Degree of Protection | IP54, NEMA 2 |
| Agency Listing | cULus acc. To UL 873 and CAN/CSA C22.2 No. 24-93 |
| Noise level, motor | 50 dB(A) |
| Noise level, fail-safe | 62 dB(A) |
| Servicing | maintenance-free |
| Quality Standard | ISO 9001 |
| Weight | 3.1 lbs (1.40 kg.) |
| Auxiliary switch | 1 x SPDT, 3 A resistive (0.5 A inductive) @ AC 250 V, adjustable 0...95° |

†Rated Impulse Voltage 800V, Type of action 1.AA, Control Pollution Degree 3

*Variable when configured with MFT options.

Date created, 04/03/2020 - Subject to change. © Belimo Aircontrols (USA), Inc.

Wiring Diagrams

INSTALLATION NOTES

- Actuators with appliance cables are numbered.
- Provide overload protection and disconnect as required.
- Actuators may also be powered by 24 VDC.
- Only connect common to negative (-) leg of control circuits.
- A 500 Ω resistor (ZG-R01) converts the 4 to 20 mA control signal to 2 to 10 VDC.
- Control signal may be pulsed from either the Hot (Source) or Common (Sink) 24 VAC line.
- For triac sink the Common connection from the actuator must be connected to the Hot connection of the controller. Position feedback cannot be used with a triac sink controller; the actuator internal common reference is not compatible.
- Actuators may be connected in parallel if not mechanically linked. Power consumption and input impedance must be observed.
- IN4004 or IN4007 diode. (IN4007 supplied, Belimo part number 40155).
- One built-in auxiliary switch (1x SPDT), for end position indication, interlock control, fan startup, etc.
- Meets cULus requirements without the need of an electrical ground connection.
- Apply only AC line voltage or only UL-Class 2 voltage to the terminals of auxiliary switches. Mixed or combined operation of line voltage/safety extra low voltage is not allowed.

WARNING! LIVE ELECTRICAL COMPONENTS!
 During installation, testing, servicing and troubleshooting of this product, it may be necessary to work with live electrical components. Have a qualified licensed electrician or other individual who has been properly trained in handling live electrical components perform these tasks. Failure to follow all electrical safety precautions when exposed to live electrical components could result in death or serious injury.

24 VAC Transformer

On/Off

24 VAC Transformer (AC Only)

Floating Point

24 VAC Transformer

VDC/mA Control

24 VAC Transformer (AC Only)

PWM Control

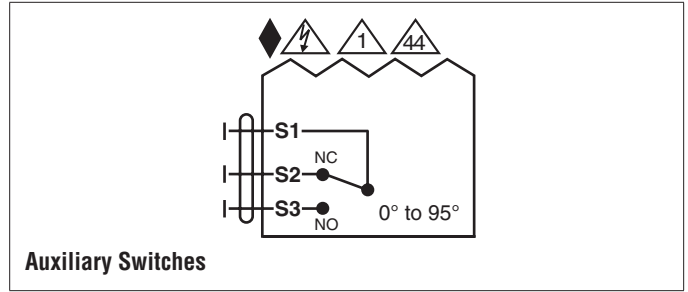
24 VAC Transformer (AC Only)

| Functions | a | b | c |
|-------------------------------|---|---|---|
| Min 0% ← | ✓ | ✓ | ✓ |
| Mid 50% ← | ✓ | ✓ | ✓ |
| Max 100% ← | ✓ | ✓ | ✓ |
| Normal Control mode acc. to Y | ✓ | ✓ | ✓ |

Override Control

LF24-MFT-S US, Valve Actuator Technical Data Sheet

Modulating, Spring Return, 24 V, Multi-Function Technology®



Date created, 04/03/2020 - Subject to change. © Belimo Aircontrols (USA), Inc.